

# AC InGaN Chip ---TK0845ABN-220V

AC LED 220V용

## 1. Scope

- The specification applies to InGaN LED chip
- Type : TK0845ABN-220V

## 2. Structure

- InGaN/GaN LED Chip.
- Electrode : Gold

## 3. Size

- Chip size : 45mil × 45mil (1143μm × 1143 μm)
- Chip height : 100 μm ±5μm
- Pattern drawing : per fig. 1

## 4. Electro-Optical Characteristics

(T<sub>a</sub> = +25 °C)

### 4.1 AC Electro-Optical Characteristics

Parameter	Symbol	Test Condition	Min.	Typ.	Max.	Unit.
Voltage	VF1	I=5mA(rms)	160	170	180	V
Radiant Intensity	I <sub>v</sub>	I=5mA(rms)	1300	1400	1500	mcd
Dominant Wavelength	λ <sub>d</sub>	I=5mA(rms)	445	455	465	nm

### 4.2 AC Electrical Characteristics and Application\*

Parameter	(V <sub>rms</sub> )	Test Condition	Resistor (Ω)
Voltage	160~180	I=5mA(rms)	6000 (耐 1W)

### 4.3 Circuit diagram schematic drawing :

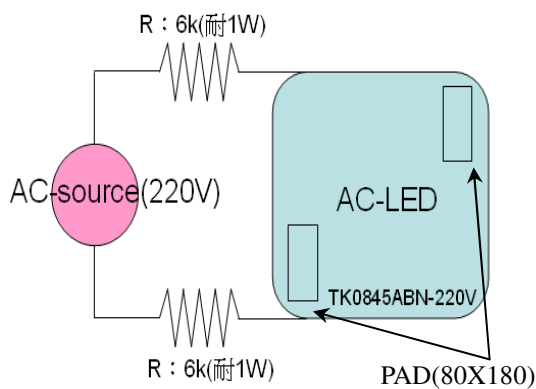


Fig.1 Circuit diagram schematic drawing

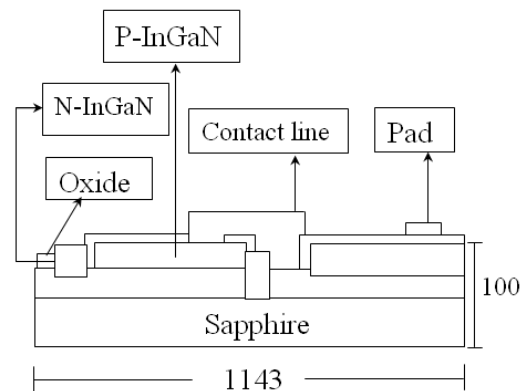


Fig.2 AC-LED Side view

Unit : μm



TYNTEK Head Office  
TYNTEK Chunan Branch  
<http://www.tyntek.com.tw>



ACE Royal Tech Inc.

T. 82-31-383-0969 F. 82-2-6230-9269

<http://www.aceroyal.co.kr>

e-mail; [marketing@aceroyal.co.kr](mailto:marketing@aceroyal.co.kr)